

Control the speed of cars and their stops remotely

Aws Mahmood Abdullah¹, Ali Mohsin Kaitan², Rana Talib Rasheed¹^{*}

¹ University of Baghdad, Iraq

² Asoul Aldean University College, Iraq

³ Al-Salam University College,

*Corresponding Author: Rana Talib Rasheed

DOI: <https://doi.org/10.55145/ajest.2023.01.01.003>

Received July 2022; Accepted October 2022; Available online October 2022

ABSTRACT: People drive very quickly due to accidents that happen frequently, especially with the presence of modern cars with large engines and reckless youth that we lose our affection by committing a straightforward error while driving some reckless people in (school areas, the market area, citizens' gatherings and highways). Therefore, to dodge such sorts of mishaps, ready drivers, and control the speed of their vehicles in such places, the Interstate Organization has put billboards. However, sometimes this type of sign may be seen and there is a chance of an accident. A system has been developed to automatically identify the driver with zones and speed limits, and this is done by using radio frequency technology and by controlling an embedded system called an ARM controller. The principal objective is to plan a devoted savvy screen regulator for vehicle speed control and zone checking, which can be worked on an inserted framework.

Keywords: ARM7, RF, voice module

1. INTRODUCTION

Street offices are a significant worry on the planet. Because of this, genuine mishaps are related to over the top or wrong speed, just as Changes in the street (like the presence of roadwork). So that to diminish this mishap and alleviation of their outcomes are a major worry for traffic authority people and transport research individuals. One critical movement includes forefront driver help frameworks that are hot, visual or acoustic signs which the very car makes to pass on to the one behind the wheel the potentiality of an accident may happen. These exercises are genuinely open in business vehicles today, and future examples show that every automatic driving control and a creating a sensor number on the two of them, and the way structure as well as the very car will achieve higher prosperity [1]. An extraordinary portrayal of driver help systems is venture control, which can keep up a consistent customer preset speed and its turn of events, Adaptive Cruise Control (ACC) that gives an addition to Cruise Control (CC) the limit to preserve some shielded decent ways from the principal car. A detriment of every system of those can be considered as being uninhibitedly fit for perceiving Straight and twisted methods of the road, to reduce the speed to avoid incidents. In any case, when the vehicle speed isn't adequate while utilizing a computerized guide with a blend of Worldwide Situating System containing information probably beyond what many would consider possible [2]. In any case significant, these systems are damaged if there ought to emerge an event of unanticipated road conditions (like roadwork, road redirections, and so forth), where the framework needs the utilization of advanced presentation guides to control the driver while driving the vehicle. Here we are utilizing Radio Recurrence Recognizable proof for marking notification signals set into some road risky method. As the duplicate traffic signal authority may fail if the penetrability is reduced because of problematic atmosphere terms or creating difficulties for the view by proceeding with cars and RF hails starting at as of late imparted beneficially [3] [4]. In the most recent years, RFID technology has been bit by bit connected with the business removal framework. A known case of the framework is the RFID-based NH cost assortment framework, which is presently utilized in numerous nations, similar to the Telepass framework in Italy, or the Auto pass framework in Norway. It additionally utilizes the checking framework to stay away from vehicle burglary, admittance to control the robbery in private zones, and implanting of RFID labels in tags with uniquely coded IDs for automatic vehicle discovery and distinguishing proof. The prerequisite of RFID labels out and about way has been proposed to give precise vehicle restriction in passages or downtown regions where GPS situating may be inconsistent. In the work by RFID, labeling of vehicles was offered as a choice to traffic information assortment by inductive circles put under the street surface [5].

2. LITERATURE SURVEY:

The paper’s aim can be considered as corresponding back those absurd mishaps that we will, by and large, suggest a structure which manages and takes over the car rate with non-direct weight for reasoning power. Occurrences are in any place represents car velocity is on the furthest side of the normal mandate or the thought process power doesn't adjust to the traffic lights. so, we tend to are utilizing RF technology [6-13].

We explored parcels over that RF module to be utilized and reached the resolution that detached labels wouldn't be achievable in light of the fact that it can't store various IDs and highlights a nearly less change so we tend to are abuse dynamic RF module TWS 434 Andrews 434 for the coordinated structure. It fuses some differentiation of 500 meters and obliges our application to waver. The essential ARM group of microcontrollers is sufficient for our application thus we tend to misuse lpc2148 Microcontroller that has four ports, 2 are utilized for Information and subsequently the rest two for yield. Toward the beginning, we tend to resolve to utilize 2 motors for our application however the arranged framework functions admirably on only one engine. we watch out for a utilizing an engine of 300 watts driven by Engine driverL293D. the system needs velocity to appear, abusing a 16 x 2 alphanumeric introduction screen occurs near the RF module to choose the speed. For example, see Fig. 1.

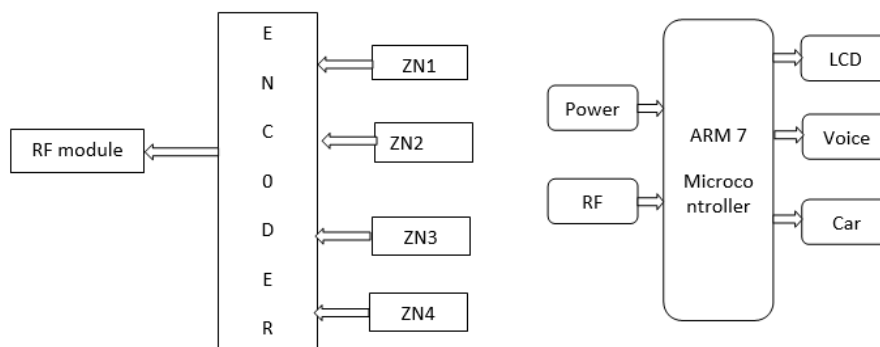


FIGURE 1. - (a) Antenna Section; (b) Vehicle control setup section

3. SYSTEM HARDWARE

LPC2148 Processor: LPC2148 Microcontroller Engineering. The ARM7TDMI-S is a broadly functional 32-cycle microchip, which offers elite and extremely low force utilization. The ARM engineering depends on Decreased Guidance Set PC (RISC) standards, and the guidance set and related translate components are a lot more straightforward than those of microprogrammed Complex Guidance Set PCs (CISC). This straightforwardness brings about a high guidance throughput and amazing constant interference with reaction from a little and practical processor center.

Pipeline procedures are utilized so that all pieces of the handling and memory systems can work consistently. Commonly, while one guidance is being executed, its replacement is being decoded, and third guidance brought from the memory. ARM7TDMI-S CPU additionally utilizes some novel structural procedure known as Thumb, which makes it unmistakably fit high-volume applications with memory limitations or applications where code thickness is an issue.

- The basic Thumb can be considered as of a super-lessened direction set. Essentially, ARM7TDMI-S CPU owns two direction sets:
 - he standard 32-bit ARM set.
 - A 16-bit Thumb set.

L293D: L293D is a twofold H-associate motor driver facilitated circuit (IC). Motor drivers go about as back and forth movement intensifiers since they take a low-force control banner and give a higher-energy signal. This higher energy signal can be utilized for driving motors. L293D having two built-in H-interface circuits. Within the essential technique for movement, both DC engines are driven simultaneously, the two of them ahead and switch the heading. The motor engine tasks are obliged via thinking at the pins number 2 and number 7 and number 10 and number 15. Information thinking 00 or 11 is going to terminate the relating engine. Thinking 01 and 10 is going to pivot it to the right and left habits, freely.

DC motor: They can be organized in different types and measurements, containing brushless and stuff engine types. Motors contain rotors and continually captivating field stators. The beguiling field can be preserved using a wearisome magnet or an electromagnetic winding. Engines can be considered as devices giving legitimate velocity and power to some drive structure. That family cements the types of AC motors (complete, single and multiphase,

insistence, gear, composed), and the DC engines (brushless, stuff motor) similarly like straight, air and stepper, and motor contactors.

Voice module: The current customers demand the best in sound/voice. They need entirely clear strong any spot they are in whatever plan they need to use. APLUS passes on innovation to update a group of people's sound/voice understanding. For example, see Fig. 2.

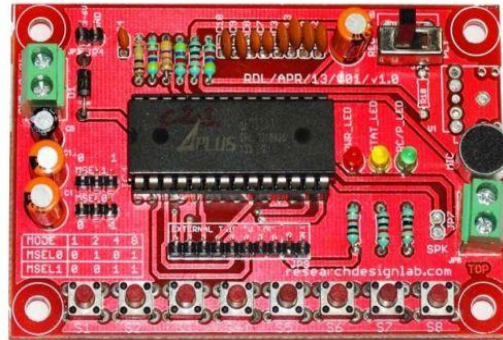


FIGURE 2. - voice module

The aPR33A arrangement is a powerful stable processor close by world-class sound easy-to-cutting edge converters (ADCs) and modernized-to-straightforward converters (DACs). The aPR33A plan is a totally planned course of action offering a first-class and unequalled blend with straightforward information, modernized planning, and basic yield supportiveness. The aPR33A course of action melds all the handiness expected to perform mentioning sound/voice applications. First class sound/voice frameworks with lower bill-of-material costs can be executed with the aPR33A course of action because of its fused straightforward data converters and a full set-up of worth redesigning features, for instance, a model rate converter.

4. REMOTE CORRESPONDENCE

RF correspondence: Radio Recurrence, any repeat inside the electromagnetic reach identified with radio wave inducing. Precisely when a RF current is given to a tolerant wire, an electromagnetic field is made that by then can duplicate through space. Various distant advances rely upon RF field inciting

RF Transmitter: The TWS-434 little, and is astounding for applications requiring short-range RF controllers. The transmitters produced are up to 8mW at 433.92MHz with approximately 400 feet out. In the inside, the reaching can be approximately 200, and going to encounter almost every divider. TWS-434 transmitters see both brief as well as progressed wellsprings of data working (1.5- 12) volt-DC and develops some downsized RF transmitters especially fundamental.

RF recipient: RWS-434: The receiver is going to work at 433.92MHz with an effectiveness of 3uV. WS-434 receiver is going to work (4.5-5.5) volts-DC and owns together quick and advanced yields.

5. RESULTS

Major car manufacturers have sought to reduce annual accidents caused by speed or recklessness or the lack of attention, and it has become imperative for those companies to innovate devices and equipment that contribute to reducing the consumption of thousands of lives annually, and controlling the speed of cars remotely to reduce accidents has become an imperative. Where studies indicate that the human reaction is of two types, the simple and the complex defining reaction speed as the period of time between the appearance of the stimulus (auditory or visual) and the moment of response to it with movement. Time is divided between three areas: first, perception, second, treatment, and third, response or response. The simple reaction time lasts from (0.11 to 0.17) of a second as for the speed of the complex reaction (0.22 to 0.25) from a second. Here, modern technologies intervene to reduce the speed of cars, especially near places where there are many pedestrians, such as city centers, markets, near schools, and even on mountain roads and slopes. Practical experiences have shown that reducing the speed contributes by about 95% to maintaining the safety of citizens.

CONCLUSION

Accordingly, we assume that this endeavor is definitely not hard to execute on the stream structure, straightforwardness and strong, ensures the best prosperity to explorers furthermore, public, the one behind the wheel obtains the complete data concerning roads and the driving continues with no diverting, he obtains the complete data including in horrendous environment conditions, low force use. This endeavor is also improved by means of programmed speed control when the vehicles get any peril signal from the outside atmosphere.

REFERENCES

- [1] Ari Jules, "RFID Security and Privacy: A Research Survey Review", IEEE Trans. Selected area in Communication, pp. 381-394, February 2006.
- [2] Ari Jules, S. Garfinkel and R. Pappu, "RFID Privacy: An Overview of Problems and Proposed Solution", IEEE Trans. Security and Privacy, pp. 34-43, May2005.
- [3] K. Takaraj, M. Usami, R. Imra& R. Itsuki, "Recognition Security an Ultra Small Individual Chip", IEEE Trans. Micro, vol.21, no.6, pp.42-49, 2001.
- [4] Raza, V. Hogue, "Application of RFID technology", IEEE Trans. RFID Technology, February 1999.
- [5] M. A. Mazidi&Mazidi, "The 8051, Microcontroller & Embedded Systems".
- [6] Kenneth J. Ayala, "The 8051, Microcontroller Architecture, Programming and Applications", 2nd Edition, Penram International.
- [7] 7. Jacob Millman& Christos C. Halkais, "Electronic Devices & Circuit", Tata McGraw Hill Edition, 1991.
- [8] Vishal Pande, Navnath Nehe & Nandini Bhandari, "RFID in Access Control System", Lambert Academic Publishing.
- [9] Road accidents in India 2010, Ministry of road transport and highways transport research wing, Govt. of India
- [10] "RFID design fundamentals and applications", Albert Lozano-Niento, CRC press, Pages 1-11, ISBN 978-1-4200-9125-0
- [11] The RF in RFID by Daniel Mark Dobkin, Newnes, 2007, ISBN 9780750682091
- [12] Perez J; Seco F; Milenez A; Diaz J ;De pedro, "An RFID-Based Intelligent Vehicle Speed Controller Using Active Traffic Signals", Sensors 2010, 10, 5872-5887
- [13] Eswaramoorthy, P.. (2014). INTELLIGENT VEHICLE CONTROL BASED ON IDENTIFICATION OF ROAD SIGNS BY SOLAR POWERED RFID TRANSPONDERS. International Journal of Research in Engineering and Technology. 03. 85-89. 10.15623/ijret.2014.0301013